



omnisens

PARIS



Hotel line

TAKE TIME  
to indulge YOURSELF...

# omnisens

PARIS



« True luxury is taking time to live,  
rediscover nature's bounty,  
listen to your desires  
and live a healthy life »

「真正的奢侈是认真花时间生活，重新发现大自然的恩赐，倾听内心的声音，享受健康的生活方式。」

JOËLLE GUILLEMOT  
FOUNDER OMNISENS

At the start of the company: a philanthropist deeply passionate about nature. Joëlle Guillemot is a psychologist and executive coach; she started Omnisens in 2008 as a response to the need to conjugate our desires for well-being and personal equilibrium with the hectic lifestyles that we lead today.

She became deeply convinced that true beauty can only come through the expression of emotions and consequently created a brand-name around the idea of well-being.

品牌起源：热爱大自然的慈善家2008年，心理学家兼实践教练Joëlle Guillemot创立了Omnisens，旨在帮助人们在现代快节奏生活中，寻找到健康安乐的身心平衡之道。Joëlle深信，真正的美唯有经由情感的表达才能实现。因此，她基于健康安乐的理念设计了品牌名。

## THE AWAKENING OF THE SENSES

Each product and each treatment bet on sensoriality to stimulate emotion and well-being.

## BACK TO NATURE

Our formulas are composed of an average of 91% ingredients of natural origin.

## THE CONTEMPORARY SPA SPIRIT

Natural active ingredients highlighted by clean lines, to refocus on the essentials.

## 唤醒感官

品牌旗下所有产品和疗法均基于感官体验设计，旨在触发宾客内心情感，纵享健康安乐体验。

## 回归自然

产品配方中天然成分平均含量高达91%。

## 现代水疗理念

荟萃天然活性成分，彰显简洁利落线条，回归精华本质。







omnisens

PARIS



The deep vitality of FRAÎCHEUR TONIQUE® is reflected in the Omnisens amenities. The line is enriched with White tea extracts and the formulas, with their subtle notes of Green Tea and Bergamot, are vegan and contain up to 98% of natural origin ingredients.

FRAÎCHEUR TONIQUE® 深层活力充分体现在 Omnisens 洗护用品系列中。该系列富含白茶精萃，散发出绿茶和佛手柑的精致气息；植物配方中天然成分含量高达98%。

**CARE  
ABOUT  
EARTH**

Omnisens amenity range is fully in line with Groupe GM's CARE ABOUT EARTH program and contributes to the corporate effort to lower its impact on the environment. Visit us on [www.care-about-earth.com](http://www.care-about-earth.com)

Omnisens 洗护用品系列与 Groupe GM 集团的“关爱地球”（CARE ABOUT EARTH）项目持守完全一致的信念，并致力于推动整个集团竭力降低对环境的负面影响。

欢迎访问 [www.care-about-earth.com](http://www.care-about-earth.com)



## Tubes 管装

30 ml - 1.01 fl.oz

CARE ABOUT EARTH



90% PLANT-BASED TUBE

RECYCLED PLASTIC CAP

Bath Shower Gel  
沐浴露

Shampoo  
洗发水

Conditioner  
护发素

Body Lotion  
身体乳

Hair & Body Gel  
洗发沐浴露



## Soaps 香皂

CARE ABOUT EARTH



4-0806-16-100-00

Soap  
香皂

20 g - 0.70 oz

Exfoliating  
Massage Soap  
去角质按摩香皂

30 g - 1.05 oz



## Solid 固体产品

15 g - 0.52oz

Hair & Body Wash  
洗发沐浴露



CARE ABOUT EARTH



WATER VOLUME  
REDUCED BY 9  
DURING MANUFACTURING

100%  
PLASTIC  
FREE



## Bottles 瓶装

50 ml - 1.69 fl.oz

CARE ABOUT EARTH



100% PLANT-BASED BOTTLE

Bath Shower Gel  
沐浴露

Shampoo  
洗发水

Conditioner  
护发素

Body Lotion  
身体乳



## Hand cream 护手霜

30 ml - 1 fl.oz

CARE ABOUT EARTH



90% PLANT-BASED TUBE



RECYCLED PLASTIC CAP



## Dry oil 干爽油

20 ml - 0.67 fl.oz



## Bath salts 浴盐

30 g - 1.05 oz







## Ecopump

300 ml - 10.14 fl.oz

CARE  
ABOUT  
EARTH



Liquid Soap  
液体皂

Hair & Body Gel  
洗发沐浴露

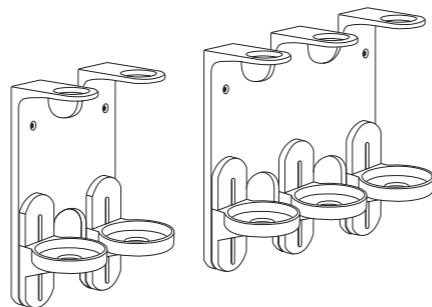


## Wall brackets

墙装托架

Stainless steel or ABS recyclable  
black or white plastic.  
Can be fixed with 2 screws  
or double-sided tape.

采用不锈钢或黑色或白色ABS可回收塑料  
材质。可用两颗螺丝或双面胶固定。





# Ecofill

400 ml - 13.53 fl.oz



THE CLEAN, SAFE, FAST & EASY  
REFILLABLE DISPENSER

清洁、安全、快速、方便，  
能有效降低对环境的影响

CARE  
ABOUT  
EARTH

REUSABLE  
SAFE REFILLABLE  
ECO-DESIGNED  
SUSTAINABLE



100%  
POST-INDUSTRIAL  
RECYCLED  
PLASTIC BOTTLE



8g  
RECYCLABLE  
POUCH

COSMETIC  
100%  
TRACEABLE



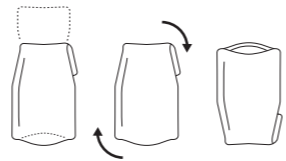
## Refill pouch

替换小袋装

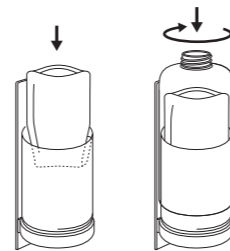
Liquid Soap  
液体皂

Hair & Body Gel  
洗发沐浴露

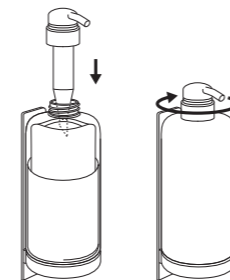
方便快捷



FOLD & TURN / 折叠&旋转



INSERT / 插入



PIERCE / 刺入

## Wall brackets

墙装托架

Stainless steel  
or ABS recyclable  
black or white plastic.

Can be fixed  
with 2 screws  
or double-sided tape.

采用不锈钢或黑色或白色ABS  
可回收塑料材质。可用两颗螺  
丝或双面胶固定。



The EU Ecolabel is the  
official European eco-label  
that promotes sustainable  
product design.

欧盟生态标签 (EU  
Ecolabel) 是欧洲官方颁  
发的生态认证，旨在促进  
可持续产品设计。



The Nordic Swan Ecolabel  
is an environmental  
certification of the Nordic  
countries that encourages  
sustainable products  
conception.

北欧天鹅生态标签 (Nordic  
Swan Ecolabel) 是北欧  
国家颁发的环境认证，旨  
在鼓励可持续产品设计  
理念。

# Ecosource

375 ml - 12.68 fl.oz



## Refill bag

替换袋装

CARE  
ABOUT  
EARTH

PRESERVATIVE  
FREE  
EXCLUSIVE  
AIRLESS  
TECHNOLOGY

Hair & Body Gel  
洗发沐浴露

Liquid Soap  
液体皂

Conditioner\*  
护发素\*

\* Not Ecolabel certified  
\* Ecolabel 认证



Also available  
in double  
dispenser  
另有双分装形式  
可选



[www.omnisens.fr](http://www.omnisens.fr)

